

Peristaltic Pump User Manual

1. Introduction

Peristaltic pump can be used as an independent device along with other devices, or as a dedicated water supply device for dental electric motors

The features are as follows:

- 1) Auto: As an independent water supply accessory, it connected with device that requires independent water supply, and bottled (bag) liquid for water supply
- 2) Foot: Connecting dental handpiece connector and the dental electric motor, and using sterile liquid at the same time, it can independently offer water supply to the electric motor for treatments such as tooth extraction.
- 3) Adjustable water flow

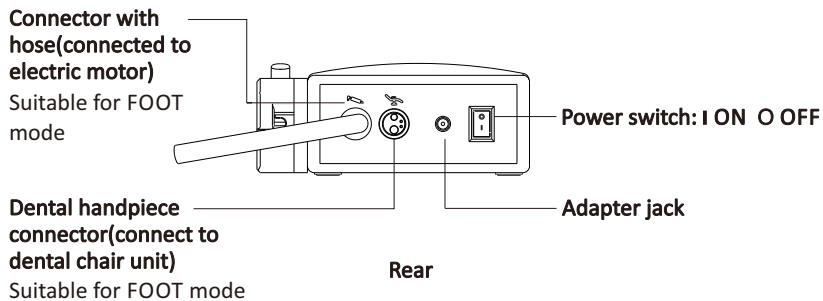
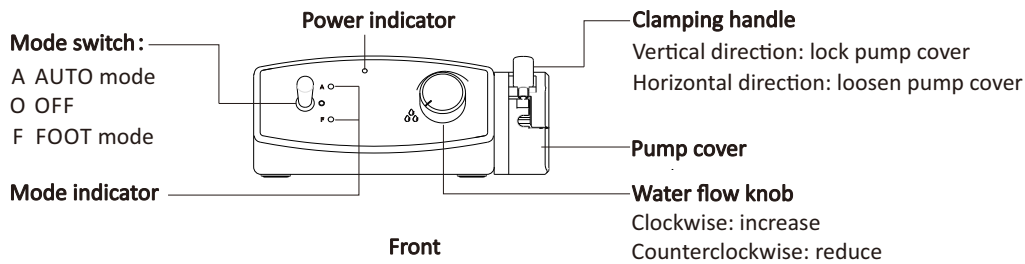
2. Precautions

- 1) Forbidden to store or use in high temperature, high humidity, flammable, explosive and strong electromagnetic field environment
- 2) When not being used for a long time, disconnect power.
- 3) Keep the drive from liquid to avoid any damage to the drive.

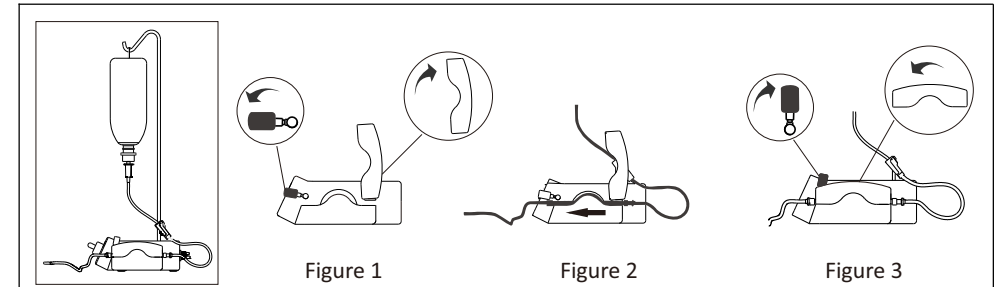
3. Packing List

Control unit×1 Adapter×1 Power cord×1 Irrigation tubing×1 User Manual×1 Infusion tube×2

4. Structure and function



5. Infusion tube instruction



- a) Press down clamping handle horizontally and lift pump cover (see Figure 1);
- b) Connect the infusion tube as shown in Figure 2;
- c) Press down pump cover and fasten clamping handle vertically (see Figure 3);
- d) Connect infusion tube to other device that needs water supply.

NOTE: If used with a dental electric motor, a special external waterway contra-angle may be required.

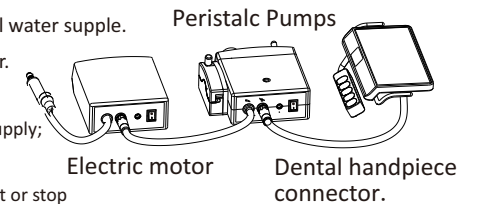
6. Operation

Auto mode:

- a) Device automatically supplies water without any connection or external control.
- b) Instructions:
 - Push the mode switch to the "A auto" mode to start water supply;
 - Rotate water flow knob to adjust.

Foot mode:

- a) Users need to operate dental chair foot pedal to control water supply.
- b) Connect electric motor and dental handpiece connector.
- c) Instructions:
 - Push the mode switch to the "F foot" mode to start water supply;
 - By operating the foot pedal of the dental chair, the electric motor and the water supply device can be synchronized start or stop
 - Rotate water flow knob to adjust.



7. Technical parameter

Adapter power	Input: a.c.100-240V 50/60Hz Output: d.c.12V 3A
Water flow	20-250ml
Air pressure	≥0.3MPa